

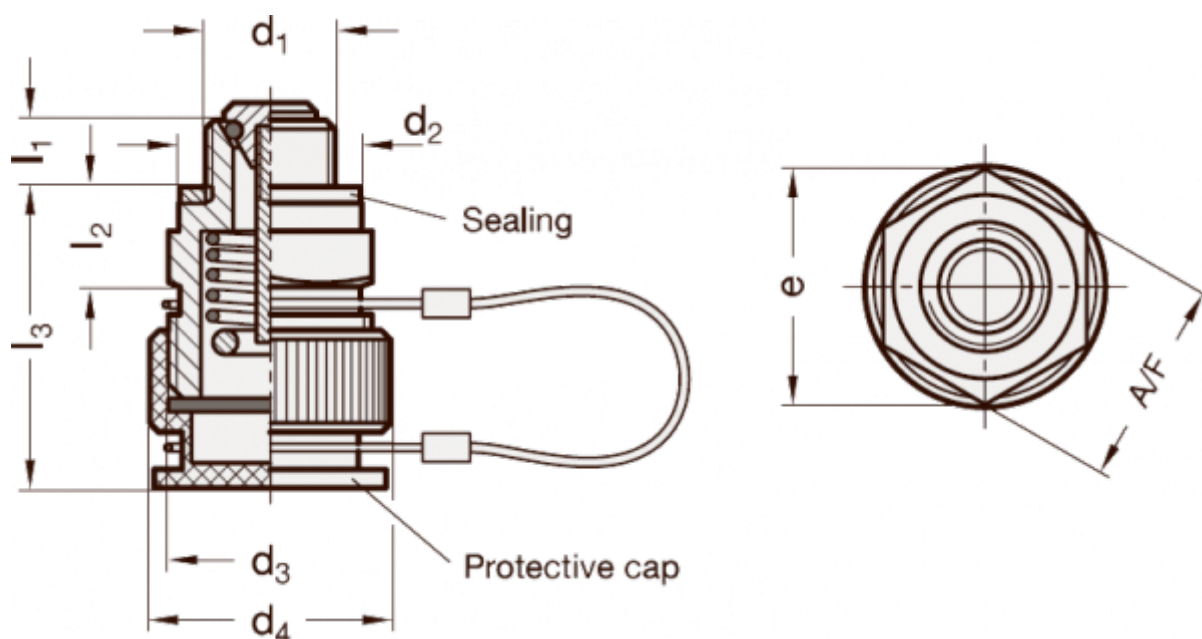
Data Sheet



Article number: 20880G38STK

Description: E+G
Oil drain valve GN 880-G3/8-ST-K

Measures



A/F = 22
d2 = 23
d4 = 26
e = 25.4
L1 = 7.5
L2 = 10.5
L3 = 31
Thread d1 = G 3/8"

Thread d3 = M22x1.5